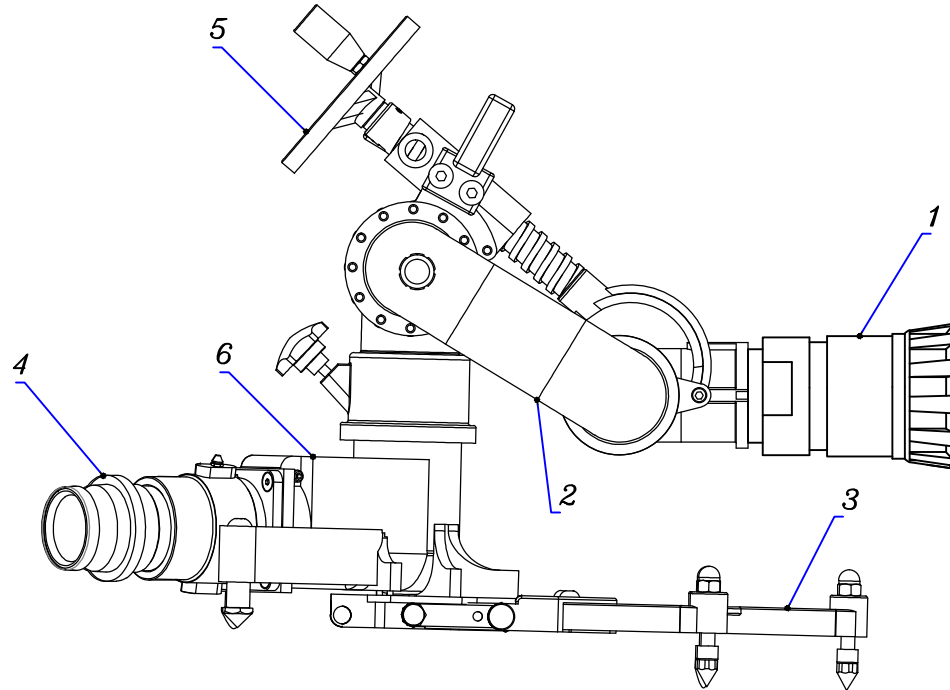


Portable Water Monitor

Model TR-MW9

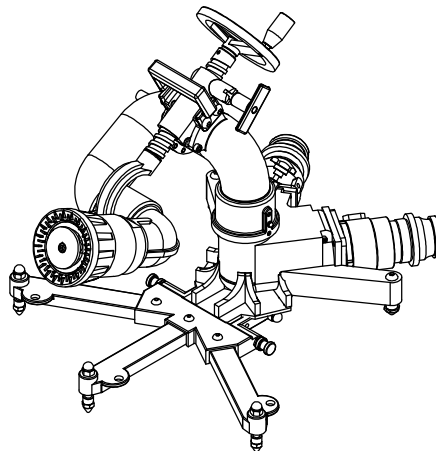
INLET CONNECTION: 2x2 1/2" BS 336

Item	Part Name	Material
1	NAZZLE NM2	Al-ALLOY
2	BODY	Al-ALLOY
3	LEG	Al-ALLOY
4	2 1/2" ADAPTOR	Al-ALLOY
5	HAND WHEEL	Al-ALLOY
6	MANIFOLD	Al-ALLOY


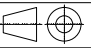


PAINTING:
 FIRST LAYER WASH PRIMER
 INTER MEDIATE LAYER EPOXY
 TOP COATED EPOXY (RAL 3020)

JET VERTICAL RANGE (+20/ +80) 25M
 JET HORIZONTAL RANGE 40M
 FLOW RATE @ 7 Barg 2000 LPM
 NOZZLE FOG/JET
 TEST PRESSURE : 16 BAR
 WORKING PRESSURE : 7-10 BAR



NOTE: Portable Water Monitor Model TR-MW9

					 I.T.E  TOL: DIN-7168m Size: A4 Scale:
Date	Design	Drawn	Checked	REV.	
Part Name: TOTAL		Drawing No: MW9-001			Sheet: 1 Of 1
Material: AS ASIDE CHART		PROJECT:			QTY.