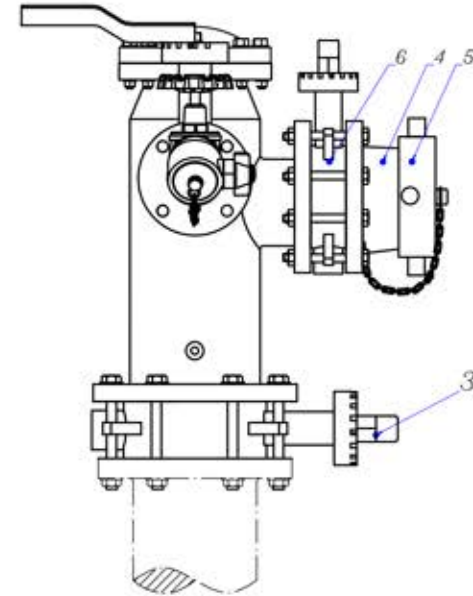
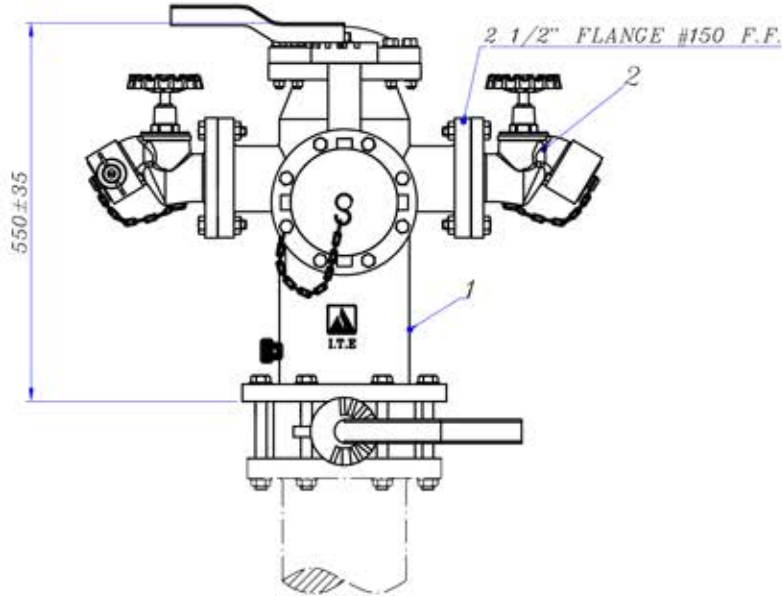


WET HYDRANT (W1-M)



NO.	QTY.	PART NAME	MATERIAL
1	1	BODY	DUCTILE CAST IRON
2	2	GLOBE VALVE MODEL:TR-SC9	GUNMETAL
3	1	6" BUTTERFLY VALVE WAFFER TYPE	DUCTILE CAST IRON
4	1	4" ADAPTOR FLANGE	GUNMETAL
5	1	4" PUMPER CAP	GUNMETAL
6	1	4" BUTTERFLY VALVE	D.CAST IRON
7	3	CHAIN	S.STEEL

NORMAL PRESSURE: 10 BARG
 DESIGN PRESURE: 16 BARG
 TEST PRESSURE FOR BODY HYDRANT: 25 BARG

INLET : 6" FLANGE # 150 R.F ANSI B16.42

NOTE: HYDRANT MODEL:TR-PH-W1-M (TYPE II)				
92/03/21				
Date	Design	Drawn	Checked	REV.
Part name: TOTAL		Drawing No: PH-W1-M-01		TOL: DIN-7169m
Material: AS SIDE CHART		Project:		Size: A4
				Scale: —
				Sheet: 1 Of 1
				QTY. : 6

