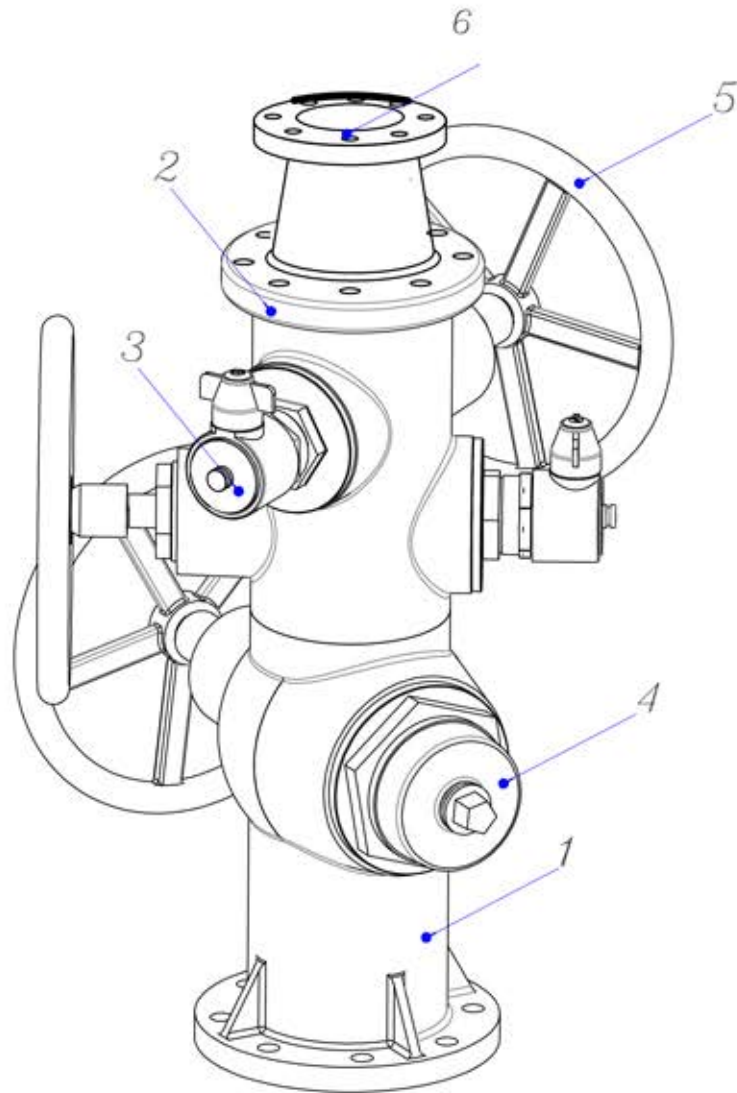

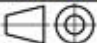


WET HYDRANT W2-M



NO.	Part Name:	Material:
1	6"Lower Body	D.Cast Iron
2	6"Upeer Body	D.Cast Iron
3	Outlet 2 1/2"	Bronz
4	Pumper 4"	Bronz
5	Hand Wheel	Cast Iron
6	Reducer 6"x4"	D.Cast Iron

NOTE: HYDRANT MODEL:TR-PH-W2					 I.T.E
					 TOL: DIN-7168m Size: A4 Scale: —
Date	Design	Drawn	Checked	REV.	Sheet: 1 of 1
Part name: TOTAL		Drawing No: PH-W1-01			QTY. :
Material: AS SIDE CHART		Project:			