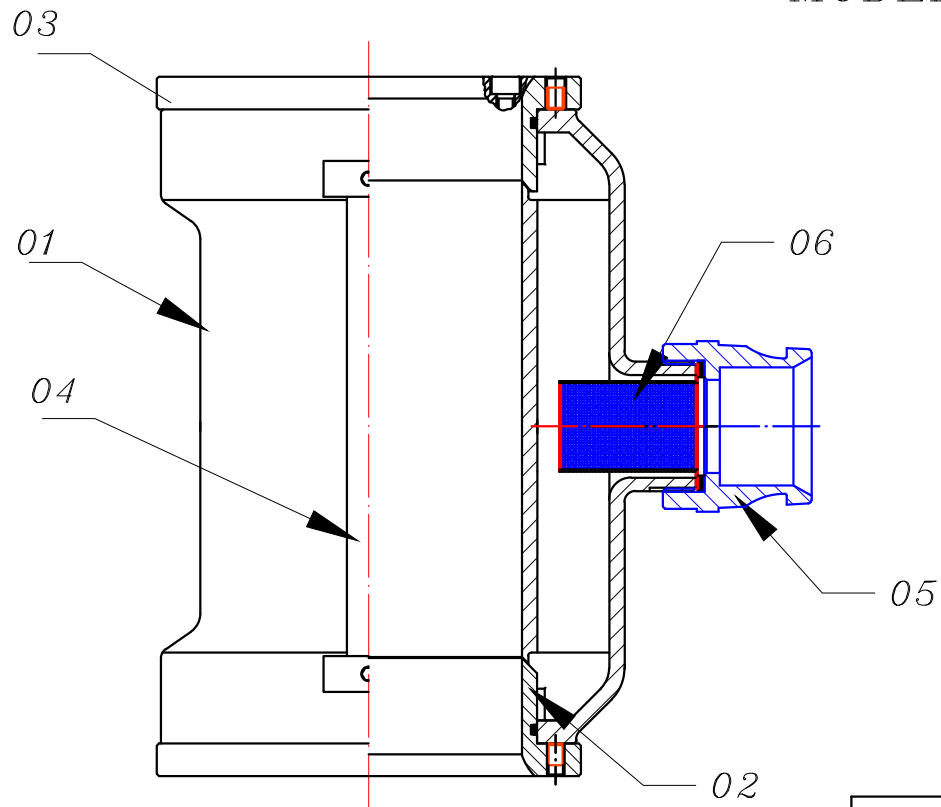

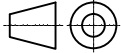


HOSE WASH

MODEL:TR-HW1



No	Part name	Material
01	BODY	AL
02	INLET	AL
03	OUTLET	AL
04	ROD	S.S
05	ADAPTOR	AL
06	STRAINER	S.S

NOTE: SUCTION STRAINER					 I.T.E
Date	Design	Drawn	Checked	REV.	
Part Name: STRAINER		Drawing No:			TOL.: DIN-7168m
Material: As above chart		PROJECT:			Size: A4
					Scale: 1:1
					Sheet: 1 of 1
					QTY. :