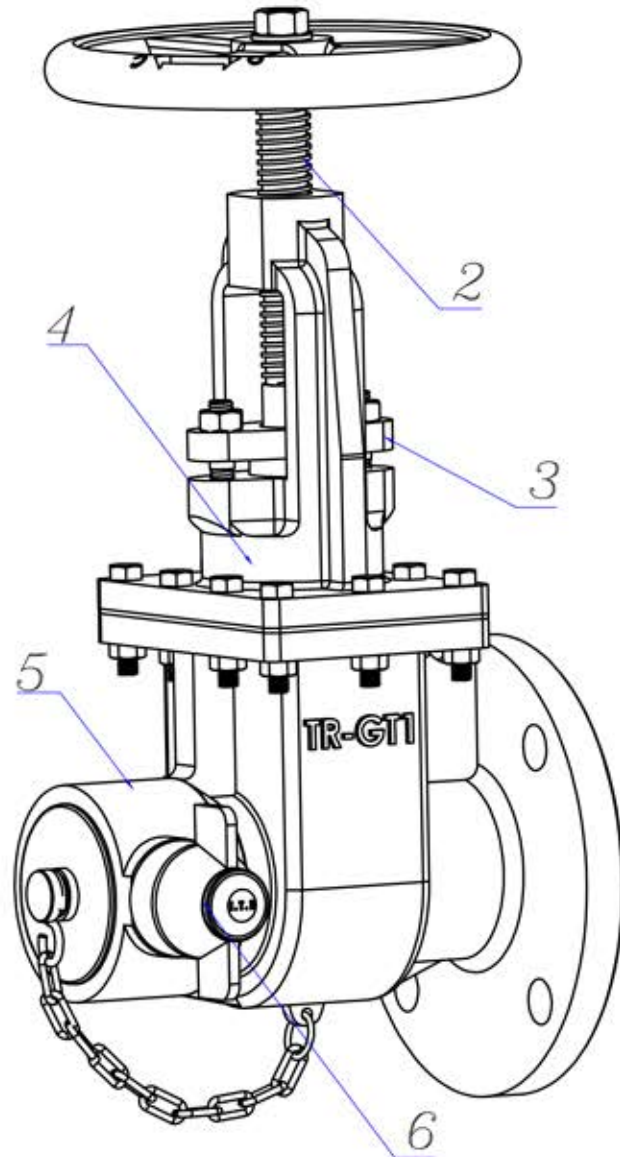


GATE VALVE MODEL TR-GT1





No.	PART NAME	MATERIAL
1	HANDWHEEL	D.CAST IRON
2	STEM	S.STEEL
3	GLAND	GUNMETAL
4	YOKE	GUNMETAL
5	BODY	GUNMETAL
6	RELEASE PLUNGER	BRASS

INLET CONNECTION : 3" #150 (R.F-F.F)

TEST PRESSURE 28 BAR

NOTE: GATE VALVE MODEL TR-GT1

					 I.T.E  TOL: DIN-7160m Size: A4 Scale: —
Date	Design	Drawn	Checked	REV.	
Part Name: Total		Drawing No: GT1-01		Sheet: 1 of 1	
Material: As above chart		PROJECT:		QTY. :	