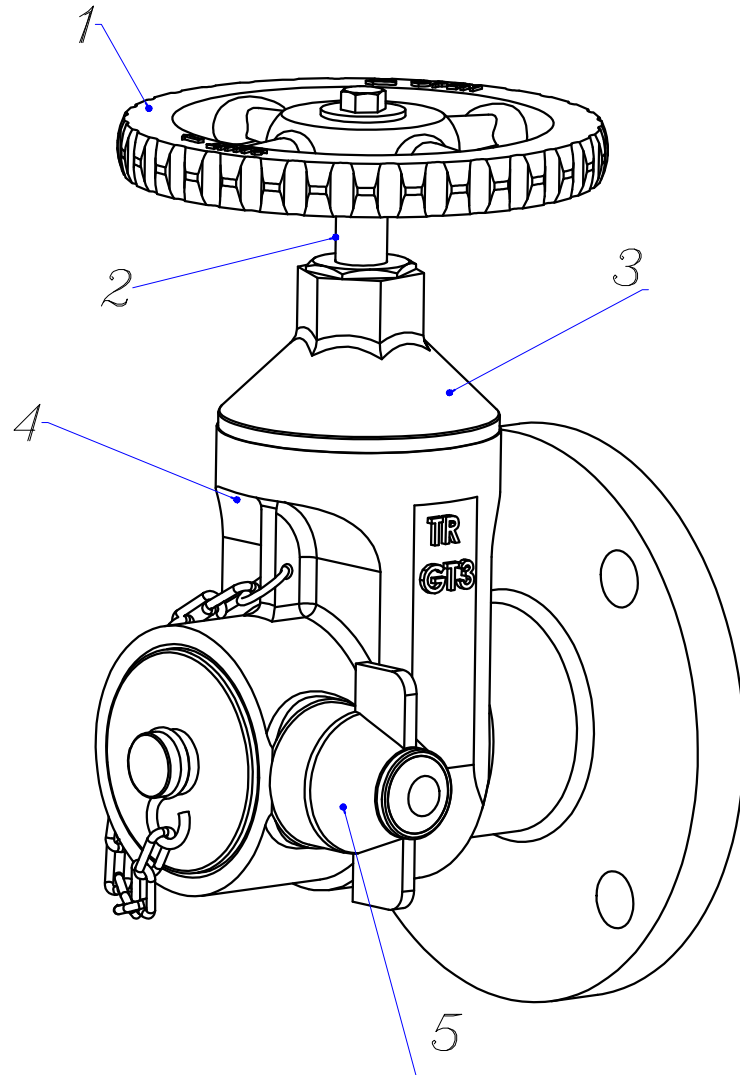


GATE VALVE MODEL TR-GT3



Item	PART NAME	MATERIAL
01	HANDWHEEL	D.CAST IRON
02	STEM	STEEL
03	BONNET	GUNMETAL
04	BODY	GUNMETAL
05	RELEASE PLUNGER	BRASS

INLET CONNECTION : 3" FLANGE #150(R.F-F.F)

INLET CONNECTION : 2 1/2" FLANGE #150(R.F-F.F)

Test Pressure : 21 Bar

NOTE: GATE VALVE MODEL TR-GT3					
					TOL: DIN-7168m
					Size: A4
					Scale: —
					Sheet: 1 Of 1
					QTY. :
Date	Design	Drawn	Checked	REV.	
Part Name: Total			Drawing No: GTI-01		
Material: As above chart			PROJECT:		