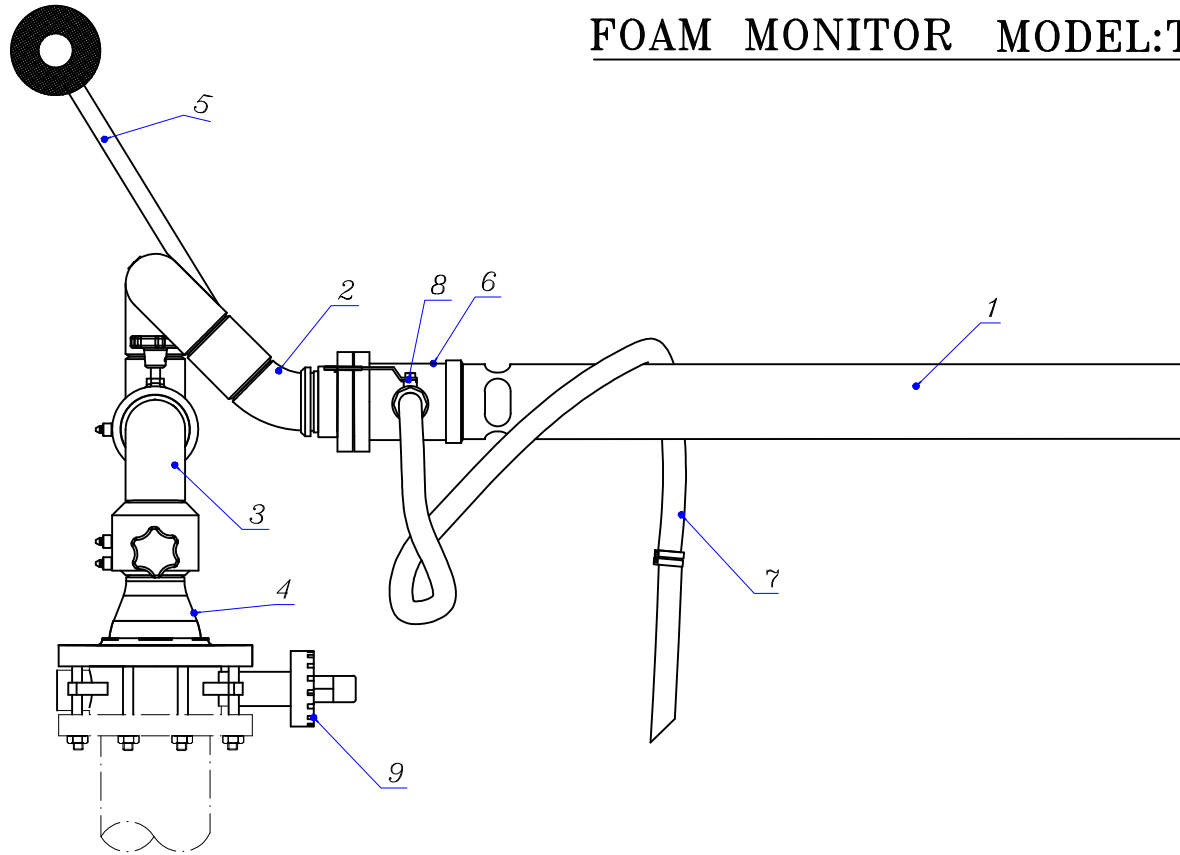




# FOAM MONITOR MODEL:TR-FMW5



No.	Part name	Material
1	FOAM NOZZLE	STAINLESS STEEL
2	ELBOW 45°	CARBON STEEL
3	ELBOW 90°	CARBON STEEL
4	4" x 2 1/2" REDUCER	CARBON STEEL
5	CONTROL ROD	CARBON STEEL
6	INDOCTOR	GUNMETAL
7	PICK-UP TUBE	RUBBER
8	1 1/2" BALL VALVE	S.S
9	BUTTERFLAY VALV 4"	D.CAST IRON

JET VERTICAL RANGE            30M±3 @7 BAR  
 JET HORIZONTAL RANGE        50M±5 @ 7 BAR  
 FLOW RATE @ 7 Barg        1800 LPM  
 TEST PRESSURE:                21 BAR  
 NORMAL WORKING PRESSURE: 7 BAR  
 INLET FLANGE 4" # 150 R.F

NOTE: MONITOR MODEL: TR-FMW5					 <b>I.T.E</b>
					 <small>TOL: DIN-7168m</small> <small>Size: A4</small>
					Scale:
					Sheet: 1 Of 1
					QTY. :
Date		Design	Drawn	Checked	REV.
Part Name: TOTAL			Drawing No: FMW5-01		
Material: As above chart			PROJECT:		